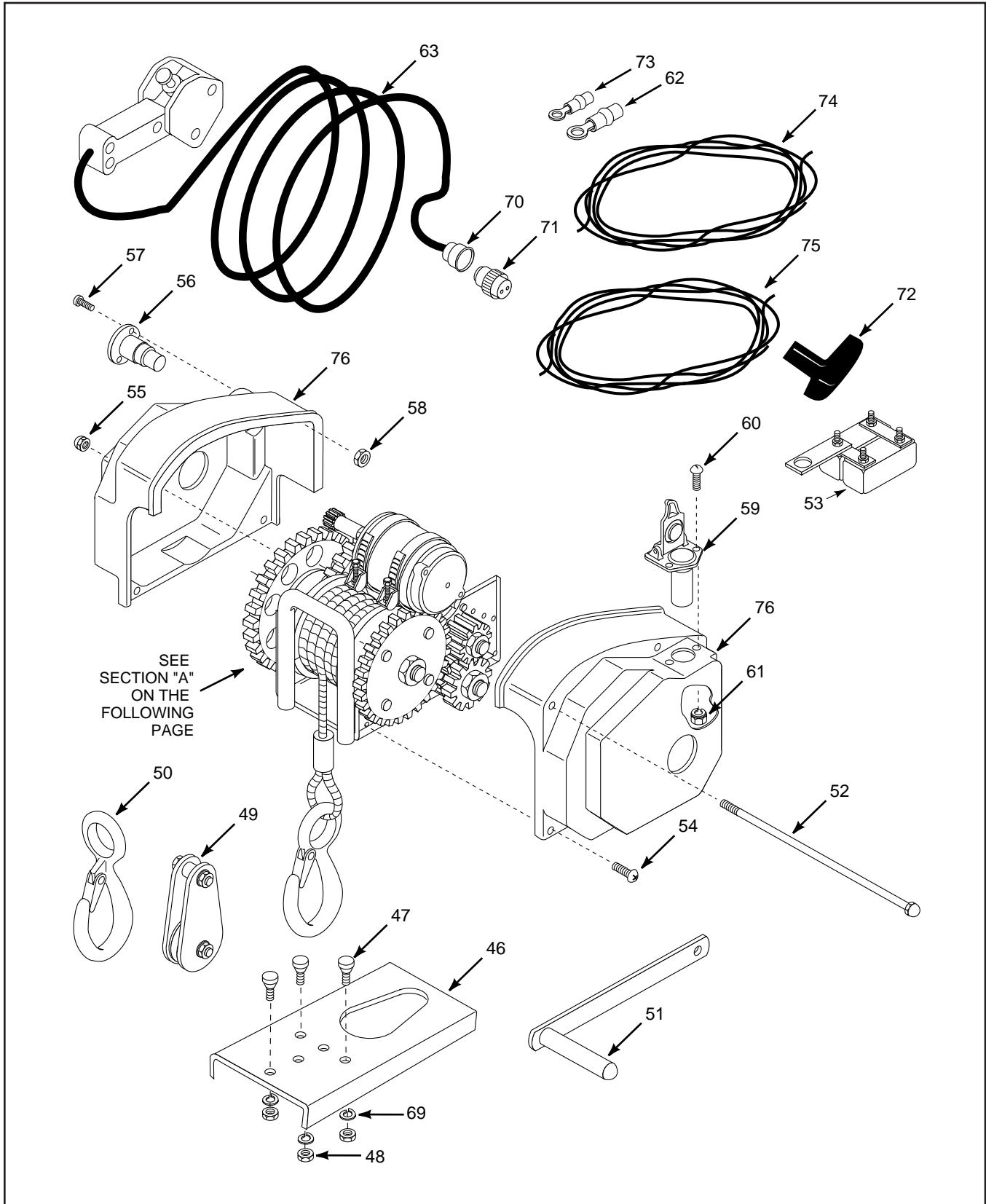


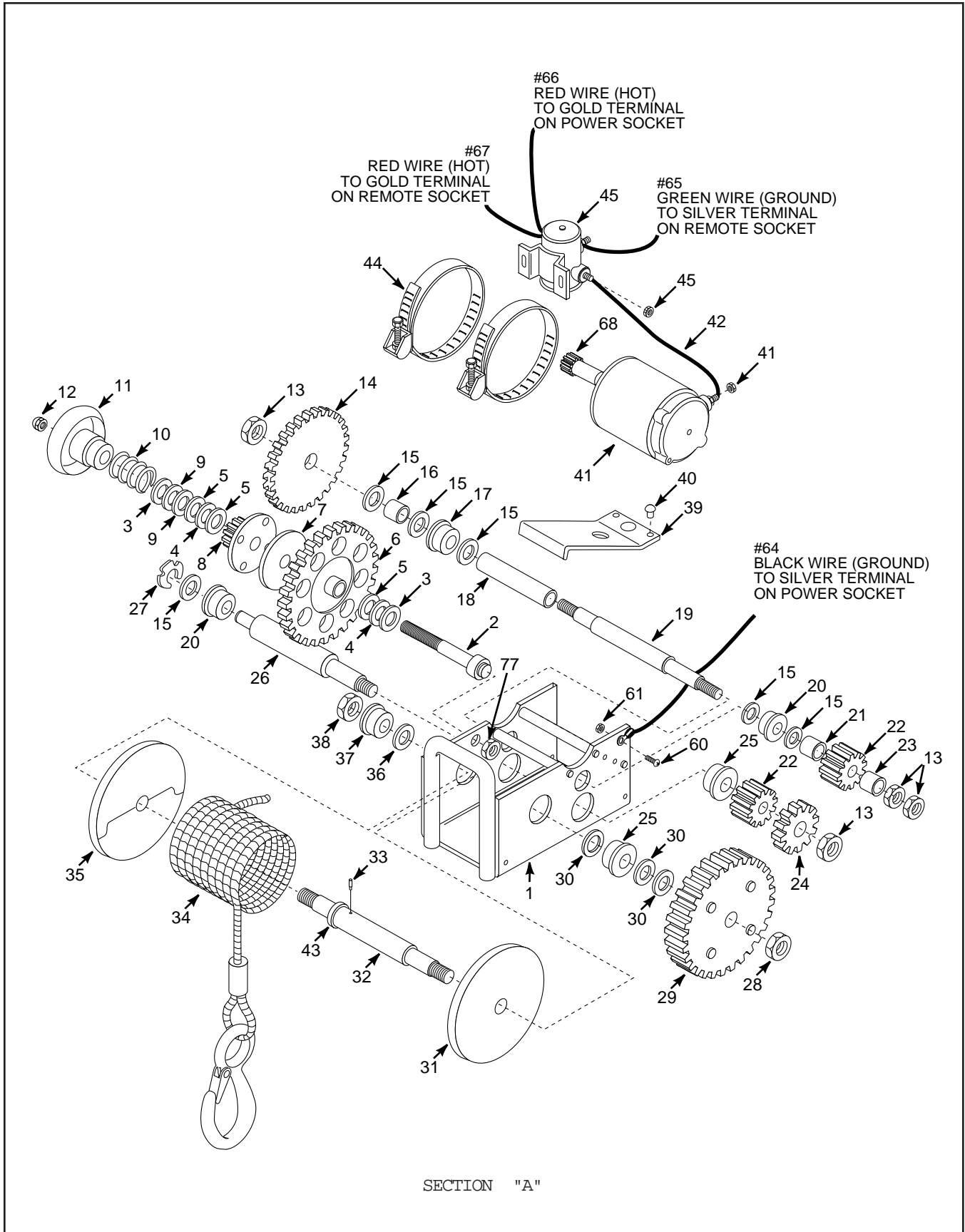
Powerwinch[®]

TRAILER WINCH

MODEL AP3500



Replacement Parts Illustration



Replacement Parts List

| REF. NO. | DESCRIPTION | PART NO. | QTY |
|----------|---------------------------|------------|-----|
| 1 | Frame assembly | P70139 | 1 |
| 2 | Stud, clutch | P71101 | 1 |
| 3 | Thrust, race | P71612 | 2 |
| 4 | Bearing | P71609 | 2 |
| 5 | Washer, thrust | P71613 | 3 |
| 6 | Gear powered assembly | P71716 | 1 |
| 7 | Lining, clutch | P73602 | 1 |
| 8 | Gear pinion assembly | P71755 | 1 |
| 9 | Washer, spring | P79800 | 2 |
| 10 | Spring, backlash | P71902 | 1 |
| 11 | Knob, clutch | P79402 | 1 |
| 12 | Hex Nut | P10122 | 1 |
| 13 | Nut, Tri-loc jam | P79738 | 4 |
| 14 | Gear, drive 57 T | P71703 | 1 |
| 15 | Washer | P71822 | 6 |
| 16 | Spacer, rear shaft | P71818 | 1 |
| 17 | Bearing | P71607 | 1 |
| 18 | Spacer, rear shaft | P71819 | 1 |
| 19 | Shaft, rear gear | P71201 | 1 |
| 20 | Bearing | P71608 | 2 |
| 21 | Spacer, rear shaft | P71817 | 1 |
| 22 | Gear, pinion 12T | P71704 | 2 |
| 23 | Spacer, rear shaft | P71816 | 1 |
| 24 | Gear, idler 24T | P71796 | 4 |
| 25 | Bearing | P71606 | 2 |
| 26 | Shaft, intermediate | P71301 | 1 |
| 27 | Ring, retaining | ST070233AV | 1 |
| 28 | Nut, Tri-loc | P79716 | 1 |
| 29 | Gear assembly | P71795 | 1 |
| 30 | Washer, spacer | P71821 | 3 |
| 31 | Flange, drum | P71960 | 1 |
| 32 | Shaft, drum | P71402 | 1 |
| 33 | Fastener, cable | P71858 | 1 |
| 34 | Cable assembly | P7188800AJ | 1 |
| 35 | Flange, drum split | P71954 | 1 |
| 36 | Spacer | P71820 | 1 |
| 37 | Bearing | P71605 | 1 |
| 38 | Nut, hex jam 5/8"-16 | P79715 | 1 |
| 39 | Plate, levelwind | P70205 | 1 |
| 40 | Rivet | ST161702AV | 2 |
| 41 | Motor assembly | P90013 | 1 |
| 42 | Wire assembly | P7840700AJ | 1 |
| 43 | Drum collar | P79087 | 1 |
| 44 | Band, quick release motor | ST161301AV | 2 |
| 45 | Solenoid | P78118 | 1 |
| 46 | Plate, adapter | P79021 | 1 |
| 47 | Stud, plate | P79084 | 3 |
| 48 | Nut, hex 3/8"-16 | P79710 | 3 |

Replacement Parts List (Continued)

| REF. NO. | DESCRIPTION | PART NO. | QTY |
|-------------|---|------------|-----|
| 49 | Block, pulley | P79043 | 1 |
| 50 | Hook | P79020 | 1 |
| 51 | Crank, hand | P7704100AJ | 1 |
| 52 | Rod, cover | P75603 | 2 |
| 53 | Circuit breaker | P78373 | 1 |
| 54 | Screw, self tapping phillips hd. mach.#10-32 x 1/2" | P79566 | 4 |
| 55 | Nut, acorn | P79719 | 4 |
| 56 | Socket | P78161 | 1 |
| 57 | Screw, flat head | ST071622AV | 2 |
| 58 | Nut #5 | ST162803AV | 2 |
| 59 | Socket | P78103 | 1 |
| 60 | Screw, phillips head machine #10-32 x 1/2" | P79569 | 3 |
| 61 | Nut, hex #10 | P79701 | 3 |
| 62 | 5/16" Ring terminal | P78603 | 1 |
| 63 | Remote control switch assembly | P78305 | 1 |
| 64 | Jumper wire assy (power socket ground - black) | P78087 | 1 |
| 65 | Jumper wire assembly (remote socket - red) | P78003 | 1 |
| 66 | Jumper wire assembly (power socket - red) | P78018 | 1 |
| 67 | Jumper wire assy (remote socket ground - green) | P78089 | 1 |
| 68 | Gear, motor | P71710 | 1 |
| 69 | 3/8" Lock washer | P79804 | 3 |
| 70 | Boot | P78128 | 1 |
| 71 | Plug, remote control | P78160 | 1 |
| 72 | Plug, power cable | P78105 | 1 |
| 73 | 3/16" Ring terminal | P78601 | 1 |
| 74 | Wire 8 gauge 30' (red wire) | P78510 | 1 |
| 75 | Wire 8 gauge 5' (black wire) | P78511 | 1 |
| 76 | Cover | P10548 | 1 |
| 77 | Nut, hex 1/2-20 | P79713 | 1 |